

## High Speed Color Scanner Maintenance Manual

Model No. **KV-S2025C/KV-S2025CU/KV-S2026C/KV-S2026CU/KV-S2026CA**  
**KV-S2045C/KV-S2045CU/KV-S2046C/KV-S2046CU/KV-S2046CA**

### Cleaning the unit

Please refer to the diagram on the next page.  
Refer to the Operating Instructions (CD-ROM) for details.  
Set the power switch to OFF at the scanner before cleaning.

#### ■ Inside of the scanner

Clean the unit described below at least once a week or when 20,000 sheets have been scanned, whichever comes first.

- Clean the rollers and paper sensors if paper jamming or double feeding occurs frequently.
- Clean the CIS glasses and sensor rollers when lines appear on the scanned images.
- Scanning dirty paper will cause poor image quality.

To maintain proper scanning, clean the scanner parts frequently.

#### Cleaning the rollers and paper sensors

Use the roller cleaning paper to remove dirt from the surfaces of all the rollers.

- **When wiping off dirt, hold the rollers to prevent them from rotating. Wipe the rollers completely from one end to the other. Be sure to wipe in the directions of the arrows shown in the diagram on the next page.**

Also, remove dust on the paper sensors, and reflector sheets with a cotton swab.

**After cleaning the above rollers, click [Clear Counter] button for [After Clean Roller] with User Utility.**

The roller cleaning paper (Model No. KV-SS03) is available from the dealer where you purchased your scanner.  
For supplies and accessories: Call 1-800-346-4768 (U.S.A. only) or your dealer.

#### Cleaning the CIS glasses and sensor rollers

Clean the CIS glasses and sensor rollers using the roller cleaning paper.

#### ■ Outside of the scanner

Clean the unit at least once a month.

#### Cleaning the cover

Clean the cover with a soft cloth.

#### Cleaning the radiation vent

Remove dirt and dust from the radiation vent with a brush.

### Replacing the paper feed roller module, retard roller module and Black Sensor Roller or White Sensor Roller

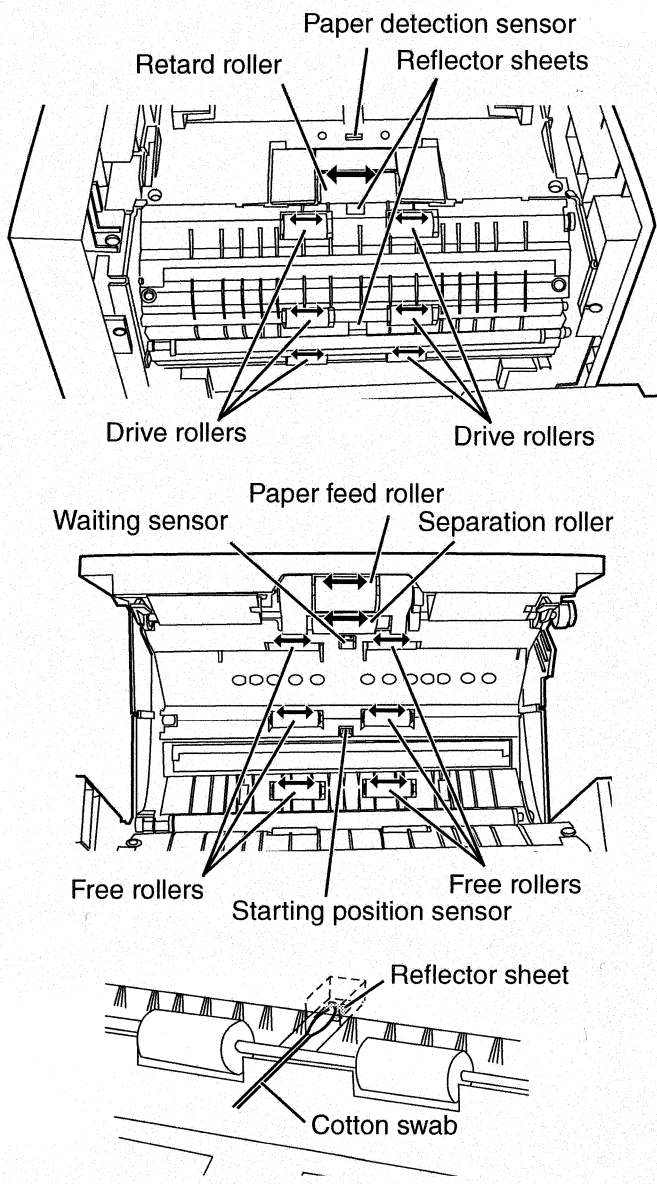
To ensure long performance, Panasonic recommends changing the paper feed roller module and retard roller module after 300,000 sheets have been scanned. At the same time, the black sensor roller or white sensor roller should be changed to prevent the CIS glasses from being damaged.

The standard value is 300,000 sheets. The life of these rollers depends on the paper conditions.

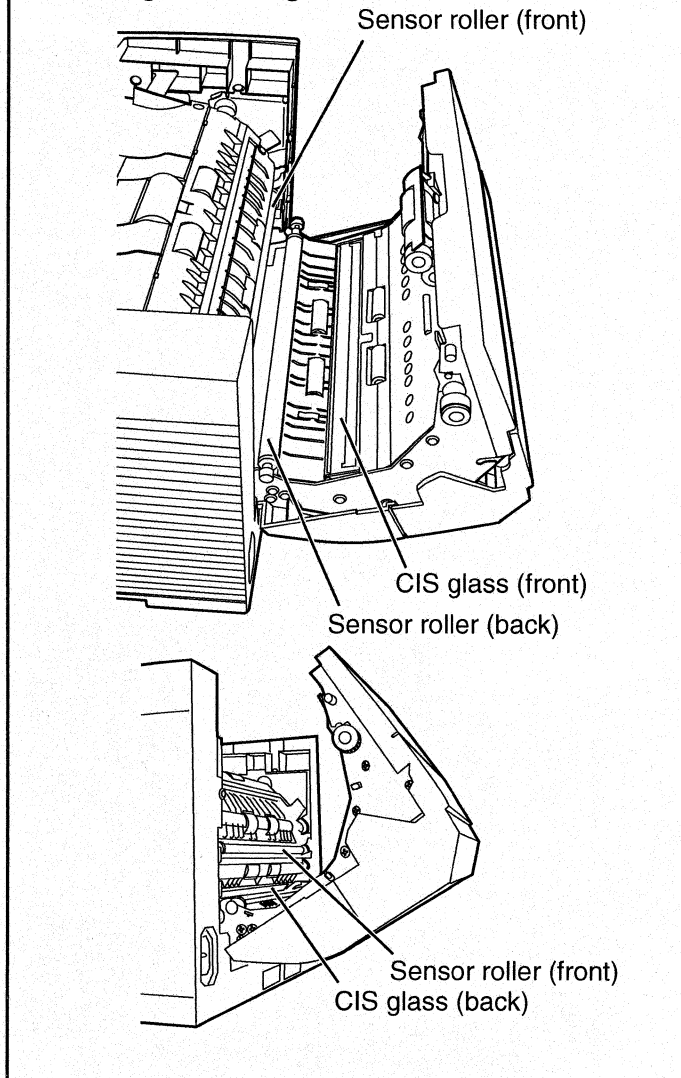
If double feeding or paper jamming occurs frequently even after roller cleaning, please call 1-800-346-4768 (U.S.A. only) or your dealer, and order a "Roller Exchange Kit with Black Sensor Roller" (KV-SS024) or Roller Exchange Kit with White Sensor Roller (KV-SS025).

\* Before using the unit, please note the "Precautions" item in the Operating Instructions.

### Cleaning the rollers and paper sensors



### Cleaning the CIS glasses and sensor rollers



※ After cleaning rollers, clear the roller cleaning counter by using the User Utility.

Note: When the sensor rollers are removed, re-attach them as shown below:

- Re-attach the sensor roller (back) to the ADF door
- Match the groove to the guide.
- Push the roller, and confirm the sensor is locked by the springs on both sides.
- Re-attach the sensor roller (front)
- Match the side of the ADF door release (①) first, and attach the other side (②).

